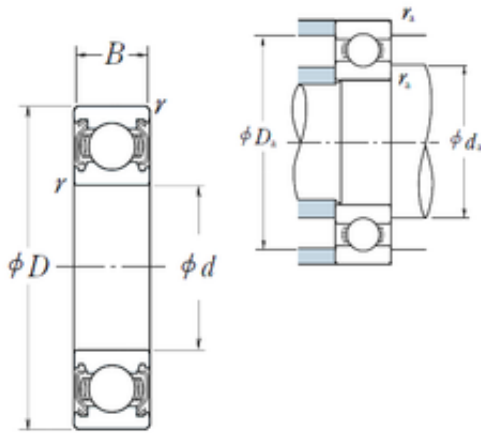




China abec 7 Bearing Supplier



Japan 6205ZZ NSK deep groove ball bearing
6205Z motor bearing 6205-2Z

Bearing No. 6205ZZ

6205ZZ Bearing 2D drawings and 3D CAD models

| | |
|-------------------------------|--------------------------|
| Size | 25x52x15 mm |
| Bore Diameter | 25 mm |
| Outer Diameter | 52 mm |
| Width | 15 mm |
| d | 25 mm |
| D | 52 mm |
| B | 15 mm |
| C | 15 mm |
| r min. | 1 mm |
| da min. | 30 mm |
| da max | 32 mm |
| Da max. | 47 mm |
| ra max. | 1 mm |
| Weight | 0,129 Kg |
| Basic dynamic load rating (C) | 14 kN |
| Basic static load rating (C0) | 7,85 kN |
| (Grease) Lubrication Speed | 13 000 r/min |
| Category | Single Row Ball Bearings |
| Inventory | 40.0 |
| Manufacturer Name | NSK |
| Minimum Buy Quantity | N/A |
| Weight / Kilogram | 0.129 |
| EAN | 0029176014406 |
| Product Group | B00308 |
| Enclosure | 2 Metal Shields |



China abec 7 Bearing Supplier

| | |
|---------------------------------|---|
| Precision Class | ABEC 1 ISO P0 |
| Maximum Capacity / Filling Slot | No |
| Rolling Element | Ball Bearing |
| Snap Ring | No |
| Internal Special Features | No |
| Cage Material | Steel |
| Internal Clearance | C0-Medium |
| Inch - Metric | Metric |
| Long Description | 25MM Bore; 52MM Outside Diameter; 15MM Outer Race Diameter; 2 Metal Shields; Ball Bearing; ABEC 1 ISO P0; No Filling Slot; No Snap Ring; No Internal Special Features |
| Category | Single Row Ball Bearing |
| UNSPSC | 31171504 |
| Harmonized Tariff Code | 8482.10.50.68 |
| Noun | Bearing |
| Keyword String | Ball |
| Manufacturer URL | http://www.nskamericas.com |
| Manufacturer Item Number | 6205ZZ |
| Weight / LBS | 0.23 |
| Bore | 0.984 Inch 25 Millimeter |
| Outer Race Width | 0.591 Inch 15 Millimeter |
| Outside Diameter | 2.047 Inch 52 Millimeter |
| bore diameter: | 25 mm |
| static load capacity: | 7850 N |
| outside diameter: | 52 mm |
| precision rating: | Not Rated |
| overall width: | 15 mm |
| finish/coating: | Uncoated |
| bore type: | Round |



China abec 7 Bearing Supplier

| | |
|------------------------------|--------------------------|
| cage material: | Steel |
| closure type: | Double Shielded |
| outer ring width: | 15 mm |
| row type & fill slot: | Single Row Non-Fill Slot |
| fillet radius: | 1 mm |
| internal clearance: | C0 |
| maximum rpm: | 15000 RPM |
| operating temperature range: | -10 to +110 ° C |
| series: | 62 |
| dynamic load capacity: | 14000 N |
| SRI | 4.01 |
| hidYobi | 6205ZZ |
| LangID | 1 |
| D_ | 52 |
| SREX | 0.04 |
| B_ | 15 |
| da min | 30 |
| hidTable | ecat_NS RDGB |
| SRE | 4.21 |
| mass | 0.129 |
| GRS rpm | 13000 |
| ra | 1 |
| SRIX | 0.02 |
| D_a | 47 |
| SRIN | 0 |
| C0 | 7.85 |
| fo | 13.9 |
| SREN | 0 |
| DE_ | 46.938 |
| Prod_Type3 | DGBB_SR_ZZ |
| DA_ | 7.938 |
| | |



China abec 7 Bearing Supplier

| | |
|--------|--------|
| bomp | 0 |
| Z_ | 9 |
| yobi | 6205ZZ |
| C_conv | 14000 |
| ALPHA_ | 0 |
| SDM_ | 39 |
| r | 1 |
| KBRG | 6141 |
| SBRG | 2 |
| DI_ | 31.062 |